



# ***REVERSO-MANUFACTURING INC.***

MANUFACTURERS OF  
FIREPLACE EQUIPMENT AND ACCESSORIES

790 Rowntree Dairy Road, Woodbridge, Ontario, Canada L4L 5V3

Tel: (905) 851-6701 Fax: (905) 851-8376

Website: [www.reversomfg.com](http://www.reversomfg.com) Email: [reverso@rogers.com](mailto:reverso@rogers.com)

## **REVERSO**

### **AUTOMATIC WOODBURNING STOVES**

### **MODEL: "REVERSO"35 & "REVERSO"45**

#### **OPERATION AND INSTRUCTION MANUAL**

#### **SAVE THESE INSTRUCTIONS**

NOTE: READ CAREFULLY BEFORE ATTEMPTING INSTALLATION



MADE IN CANADA  
CSA CERTIFIED APPLIANCE

Rev. September 2005



## IMPORTANT

**SAVE THESE INSTRUCTIONS** This booklet contains important information and operating instructions. It should be stored in a readily accessible place so it may be used for reference.

### **INTRODUCTION**

*Your new Reverso stove is a quality product made in Canada. Fine workmanship and materials have been incorporated to the construction of your new appliance. The engineering staff at Reverso have designed the automatic woodburning stoves with durability, performance and efficiency in mind.*

*READ THESE INSTRUCTIONS BEFORE INSTALLING YOUR STOVE.*

### **PROCEDURE FOR INITIAL FIRING OF "REVERSO" AUTOMATIC WOODBURNING STOVES**

Your new stove will give you years of service and pleasure. However, to insure that the finish retains its original beauty, a few simple steps must be followed on its initial firing and subsequent short term thereafter.

As there is a certain amount of smoke that is produced during the initial burn of the high temperature paint and lubricants *used in manufacturing, it is advised that the stove be fired outdoors at low flame for approximately fifteen minutes.* First and most important, install the fire brick as per brochure drawing. Install one section of smoke pipe to create a draft in order that the stove may burn more efficiently. Use only paper and cardboard keeping the doors closed so that the stove heats evenly throughout. Allow to cool. Now you are ready to install your stove. Please refer to installation instructions.

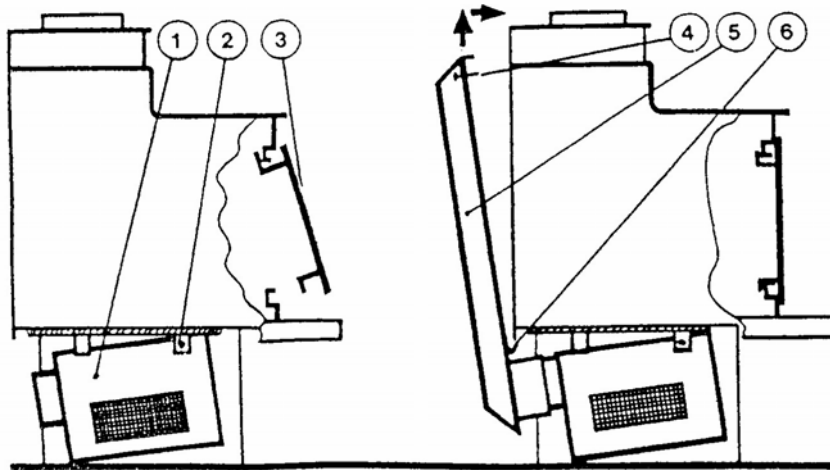
## INSTALLATION INSTRUCTIONS

First there are minimum clearances from combustable materials they are as follows: From above 53", Front 48", Rear 36", Both sides 36", Flue Pipe 18". The stove may be installed on a combustable floor providing a non combustable pad or floor cover at least 9/32" thick is used to place the stove on.

We suggest Installing a Reverso heat shield and a Reverso insulated pad on the floor underneath the appliance. Use Reverso ez-LOCK heavy gauge black pipe. To minimize the mount of creosote, try to use the least number of elbows as possible. No draft damper is necessary due to the fact the construction of the unit is air tight. Consult with your dealer regarding the chimney or flue you are connecting your stove to. A proper chimney is paramount in the operation and efficiency of your unit. The chimney to be used must be an all brick chimney clay pipe lined or an all fuel chimney. Again have your dealer clarify your chimney requirements.

### BLOWER INSTALLATION INSTRUCTIONS FOR OPTIONAL BLOWER KITS BK100-35 & BK100-45

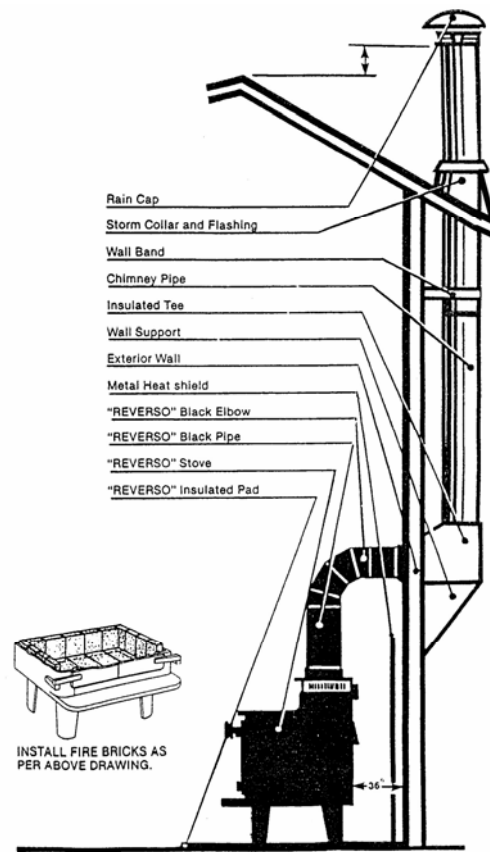
Place the blower (1) between the brackets hanging from the underside of the stove. Secure the two front screws (2) **ONLY**. Allow the rear part of the blower to drop so it is at an angle. While the blower is in this position slide collar of duct (5) over collar of fan (1). Lift duct (5) up and hook the channel (6) under the rear edge of the stove. Push the top of the duct forward until the lip is seated underneath the top edge of the stove and holes for the screws (4) line up. Install the screws (4). To finish install the two rear screws to the blower and tighten.



To start the fire place a log on each side of the fire box put paper and kindling in between the logs. Open manual draft control to full. Now light the kindling. Leave the doors open for about five minutes then close the doors. Now the fire is started. Adjust your automatic draft control to desired heat level. During the Initial firing period it is very important the doors remain closed to avoid overheating while the stove finish is curing. Repeat this procedure for approximately one month. By this time the finish on the stove should be cured and long lasting.

Gradually increase the amount of wood burned (three or four pounds at a time). Very shortly your new stove will be supplying an abundance of heat.

When cleaning your stove be certain to dispose of ashes in an all metal container. Do not use this container for any other refuse while using it for ash disposition. It is very important that the doors be kept closed as much as possible to avoid overheating and rapid consumption of fuel. Inspect the door seals regularly make sure they are in good condition if frailty becomes evident replace all door seals. Caution automatic draft control settings are of



the utmost importance. Please follow this simple procedure for correct use. When the control knob is turned to the extreme clockwise position (right) Intense heat is generated. Once the fire begins to burn, turn the control knob to a setting between the "H" & "L" markings. This will give you a medium setting and aids in maintaining a constant temperature in the room. This setting will vary as personal requirement and outside temperature change. When the control knob is set to the extreme counter clockwise position (left) minimum heat is generated. Caution when the knob is set at this position great quantities of creosote could be produced. Generally try to set the automatic damper to avoid the two extremes on the high side to avoid overheating and on the low side to avoid creosote.

Do Not Tamper with the automatic draft control. The bimetal thermostat is accurately calibrated by the factory. Any abuse will render them inoperative as far as accurately functioning automatically.

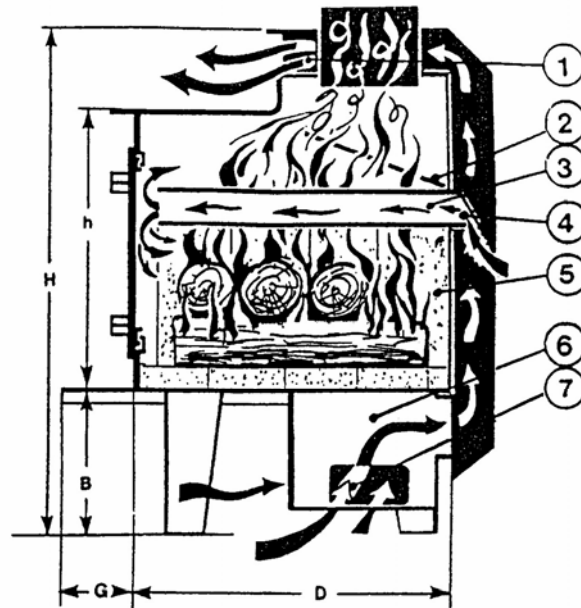
If you prefer the aesthetics of an open fire, a spark guard is provided for the stoves without glass. The screen is very simply installed by first sliding the two upper hooks over the top edge of the door opening. Then allow the spark guard to drop over the lower edge of the opening. The hooks at the bottom will secure the screen.

See blower installation drawing for reference.

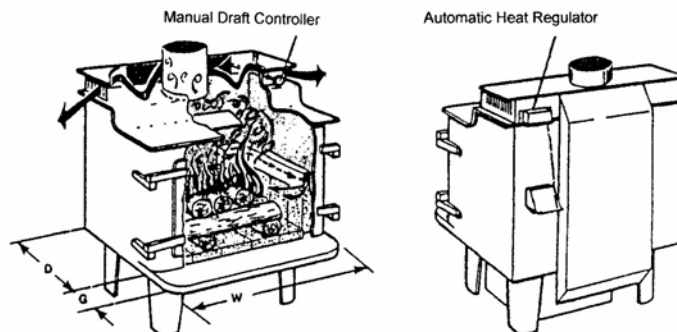
**CAUTION:** DO NOT LEAVE THE DOORS OPEN WITHOUT USING THE SPARK GUARD.

DESCRIPTION	MODEL	
	REVERSO-35	REVERSO-45
Height - H/h/B	31 <sup>1</sup> / <sub>16</sub> "/9"	33 <sup>1</sup> / <sub>18</sub> "/9"
Width (w)/-Depth-(D) (G)	25 <sup>1</sup> / <sub>2</sub> "/19 <sup>1</sup> / <sub>2</sub> "/4"	30"/24"/4"
Fire Box Capacity	5 Cubic Feet	7 Cubic Feet
Flue Size	6" Dia.	8" Dia.
Door Opening	10" x 18 <sup>1</sup> / <sub>2</sub> "	10" x 23"
Log Length	20"	24"
Shipping Weight	360 lbs	470 lbs
Burning Time Approx.	10 Hours	10 Hours
Optional Blower		
c/w Variable Speed Control	210 C.F.M.	210 C.F.M.
Can Heat an Area Up To	3000 Sq. Ft.	4000 Sq. Ft.
BTU Output (with Blower)	35,000	45,000

Airtight, Solid Continuous Welded 3/16" - (Body) 1/4" - (Top Plate) 5/16" - (Doors) Prime Steel Plate Resists Warping and Thermal Cracking. Black Matte Finish.



- |                             |   |
|-----------------------------|---|
| 1. Warmed Air               | 5. Fire Brick Lining  |
| 2. Baffle or Heat Deflector | 6. Optional 310 C.F.M. Hot Air Blower Assembly c/w variable Speed Control |
| 3. Preheated Combustion Air | 7. Cold Air Inlet   |
| 4. Combustion Air Inlet     |   |



## SAFETY

### ATTENTION: PLEASE READ CAREFULLY

1. Burn wood **only**.
2. Do not use chemicals or fluids to start the fire.
3. Do not burn garbage, gasoline, naphtha, engine oil or any other combustible liquid.
4. Do not load the stove above the top level of the fire bricks.
5. Creosote and ashes accumulate quickly. Inspect the chimney and stove for these build-ups once a week and clean as necessary.
6. In case of creosote fire close the doors and set the manual draft control to the "off" position. (Extreme counter clockwise) **CONTACT FIRE DEPARTMENT.**
7. Small vigorous fires should be used rather than large smouldering ones. Large smouldering fires create an enormous amount of creosote, small intense fires produce lesser amounts of creosote. Control Intensity of flame with the manual draft control.
8. Do not keep any combustible material near the stove to avoid spontaneous combustion.

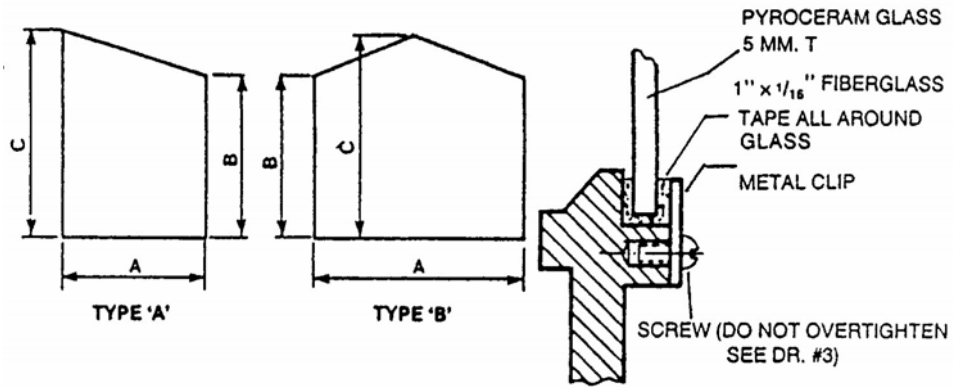


### WARRANTY

Our stoves are completely warranted against defects in workmanship and materials for a period of ten years. The optional blower kits are warranted for one year against the same deficiencies. Notify your dealer of any claims. Reverso-Manufacturing Ltd. will repair or replace at our discretion any defective parts F.O.B. our plant. This warranty covers all parts of the stove with the exception of paint and firebrick. Also, damage that occurs through misuse or improper installation is NOT covered by this warranty.

# "REVERSO" GLASS DOOR

FOR MODEL: R-45, R-35, 15-T, 15-R, 15-2BR, R-40

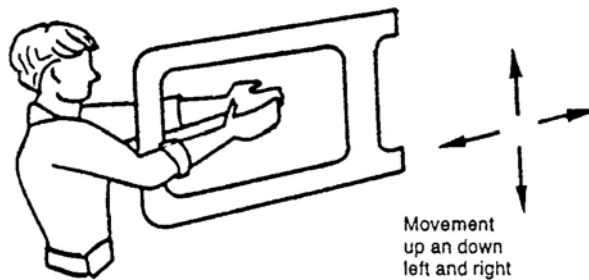


Dr. 1 GLASS PATTERN

Dr. 2

## DIMENSION TABLE

	TYPE "A"		TYPE "B"
	R-35	R-45	15-T, 15-R, 15-2BR, R-40
A	$6\frac{7}{8}$	$9\frac{3}{16}$	$12\frac{3}{4}$
B	$7\frac{11}{16}$	$7\frac{3}{4}$	$7\frac{9}{16}$
C	$8\frac{7}{8}$	$8\frac{7}{8}$	9



Dr. 3

## USE AND CARE OF GLASS

- a) Inspect the glass regularly for cracks and breaks, if you detect a crack or break, extinguish the fire immediately and return the door to your stove dealer for glass replacement before further use.
- b) To remove glass, remove the clips on the back of the door (see drawing #1). Refer to drawings #1,2 & 3 for replacement of glass with 5mm Pyroceram **ONLY**. To order proper glass size refer to drawing #1 and Dimension Table.
- c) Do not slam stove door or otherwise impact the glass. When closing door, make sure that logs or other objects do not protrude to impact against door.
- d) Do not build the fire too close to the glass.
- e) Clean the glass regularly, if the deposit is not very heavy normal glass cleaners are adequate. Do not clean the glass with materials which may scratch or damage the glass. Scratches on the glass can develop into cracks or breaks.
- f) Never attempt to clean the glass when hot or while a fire is in the unit.
- g) Never put substances which can ignite explosively, since even small explosions in confined areas can blow out the glass.

